



HAWA

Concepta

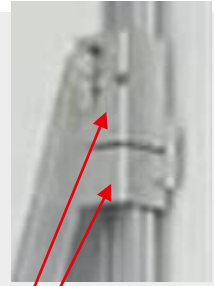
family tips

and tricks

References



HAWA-Concepta 25/30



2-part



FRONT SCISSOR BEARING (KNEE HINGE)



SCISSOR

STOP DAMPER



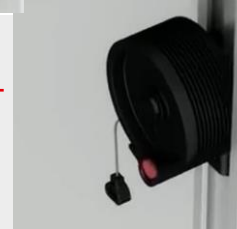
END SOFT CLOSING SYSTEM



UPRIGHT GUIDE



STOP COVER CAP (TOP)



PULL-IN MECHANISM



UPRIGHT PROFILE



BOTTOM SOFT CLOSING SYSTEM



STOP COVER CAP (BOTTOM)



UPRIGHT GUIDE



ADJUSTMENT DOCUMENT GUIDE

HAWA-Concepta 40/50 TROLLEY



1-part



FRONT SCISSOR BEARING (KNEE HINGE)

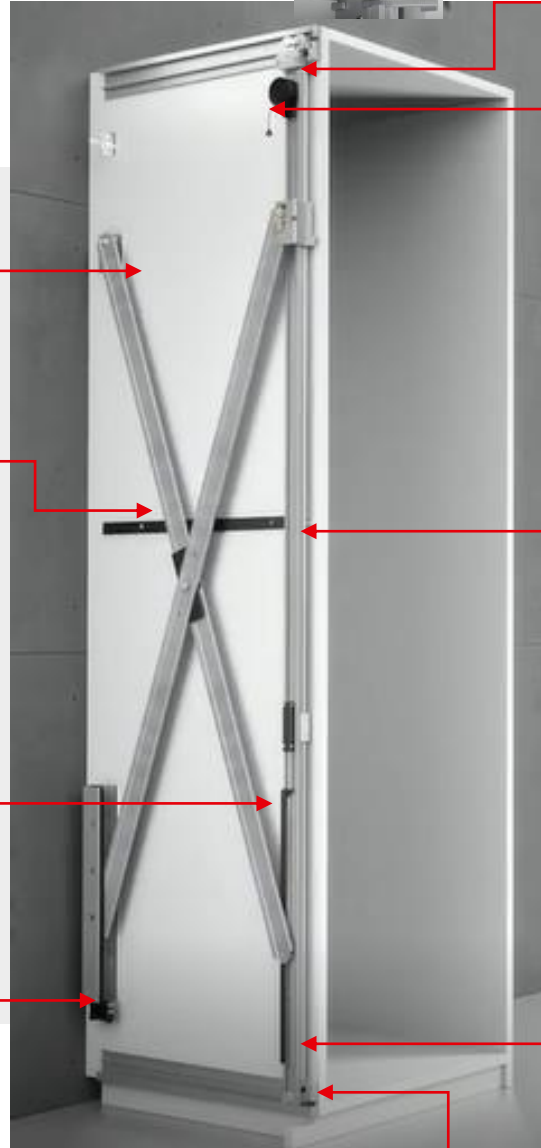


SCISSOR

STOP DAMPER



END SOFT CLOSING SYSTEM



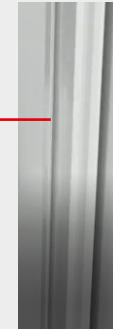
STOP COVER CAP (TOP)



PULL-IN MECHANISM



UPRIGHT PROFILE

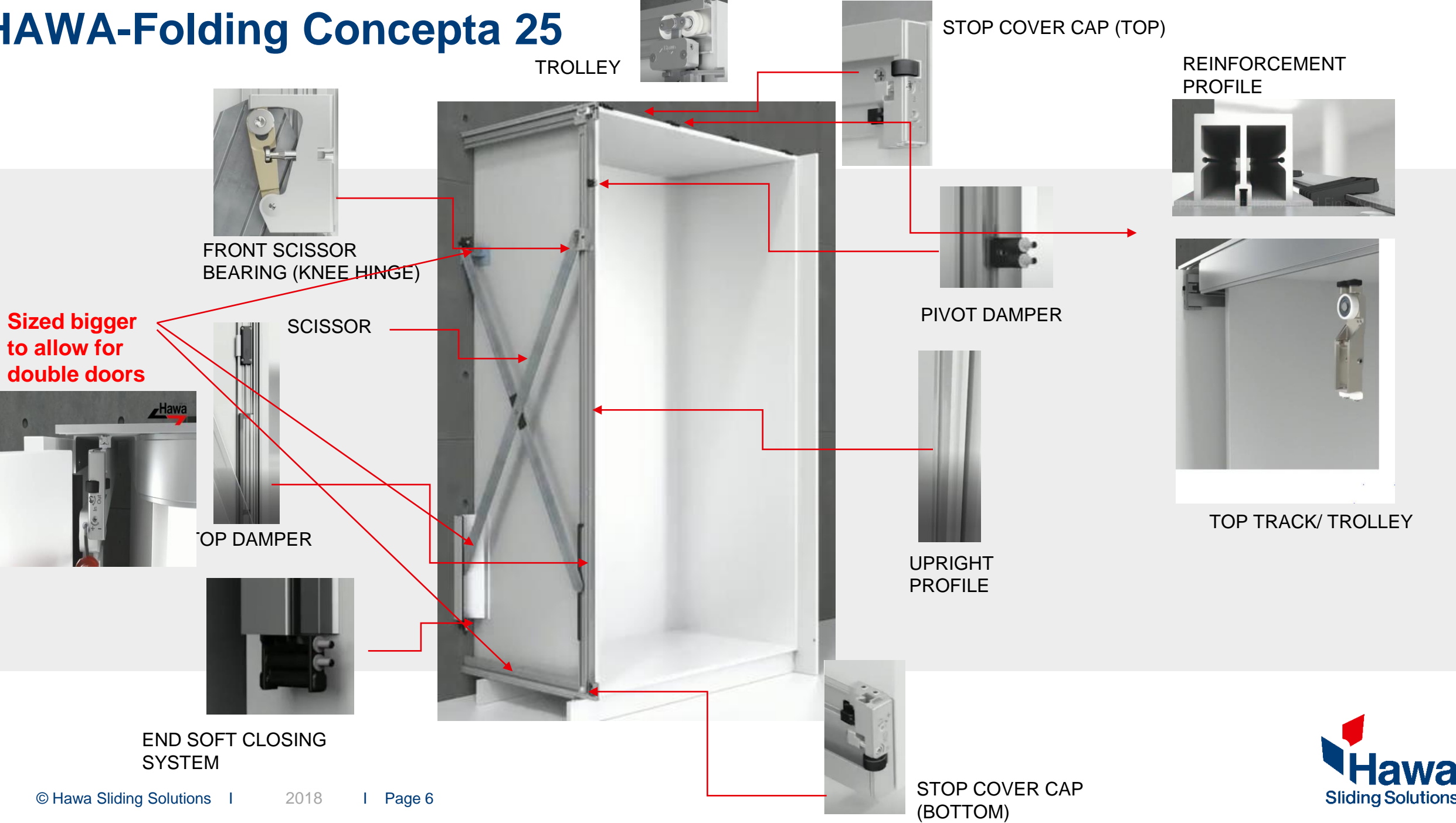


BOTTOM SOFT CLOSING SYSTEM



STOP COVER CAP (BOTTOM)

HAWA-Folding Concepta 25



TROLLEY

STOP COVER CAP (TOP)

REINFORCEMENT PROFILE

FRONT SCISSOR BEARING (KNEE HINGE)

PIVOT DAMPER

Sized bigger to allow for double doors

SCISSOR

UPRIGHT PROFILE

TOP TRACK/ TROLLEY

TOP DAMPER

END SOFT CLOSING SYSTEM

STOP COVER CAP (BOTTOM)

Summary of issues

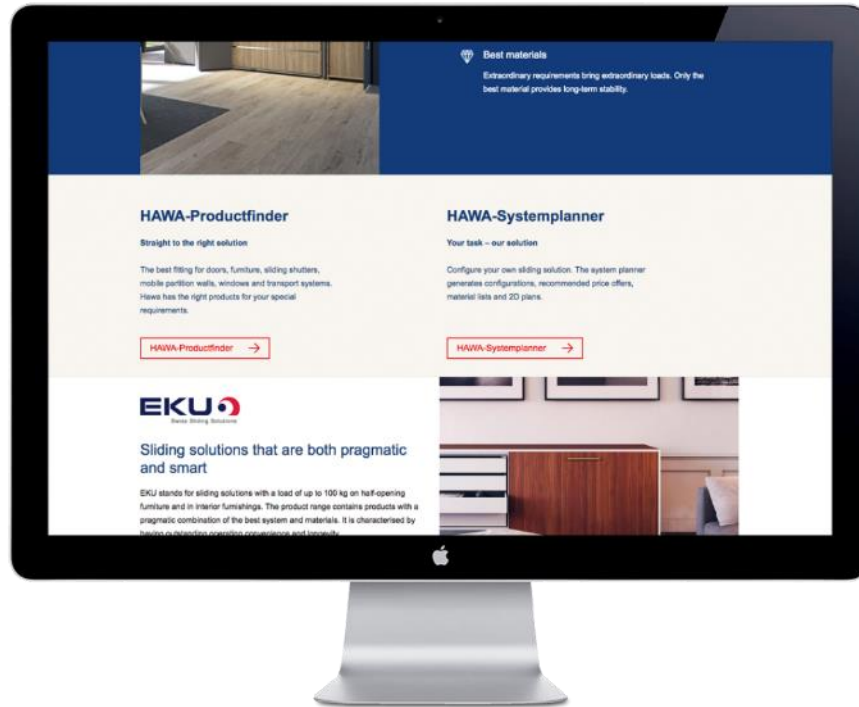


Online Tools



Planning Tool

<https://www.planningconcepta.hawa.com/>



Summary of issues

Installation

Installation Tools

Installation Video

HAWA-Folding Concepta 25 «new version»

Installation and fine adjustment

Hardware for bi-folding cabinet pocket doors
up to 25 kg (55 lbs.) per door.

<https://www.youtube.com/watch?v=o9xzK43JTYQ>

IMPORTANT

Make sure before fixing:

- * No GAP between Roller and Upright
- * roller is CLEAN

Tips & Tricks Guide



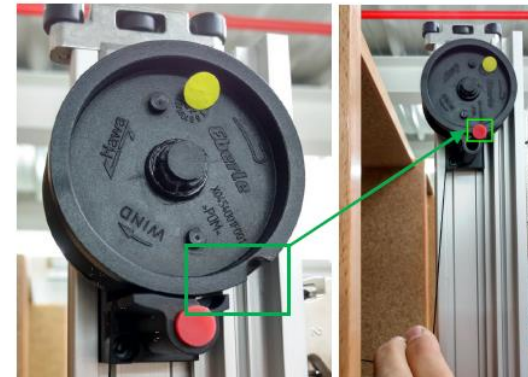
2.0 Selbsteinzug deaktivieren und aushängen

2.1 Selbsteinzug blockieren und sichern

Holm wieder herausziehen.
Danach Seil nach unten ziehen (mind. 1 Rollenumdrehung),



...bis die beiden Aussparungen an Rolle und Rollenhalterung für den Sicherungszapfen übereinstimmen und der Sicherungszapfen gesetzt werden kann (Seil ist nun entspannt und hängt durch).



Summary of issues

**After install
problems**

Problem 1

Door is difficult to retract into the pocket

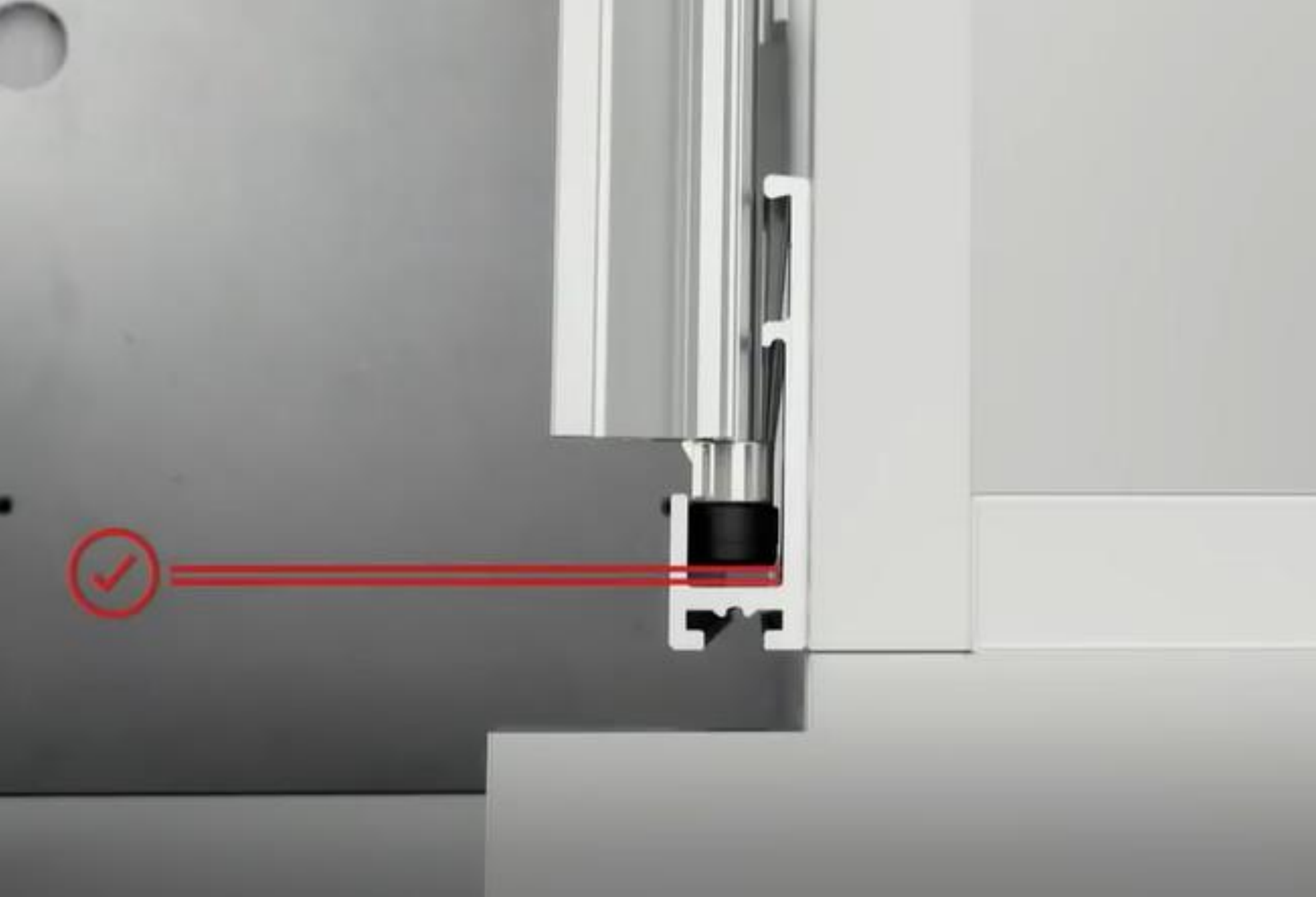
Door moves roughly or scrapes into the pocket

Door is difficult to pull out of the pocket

Probable Cause:

Upright guide touches the lower guide track.

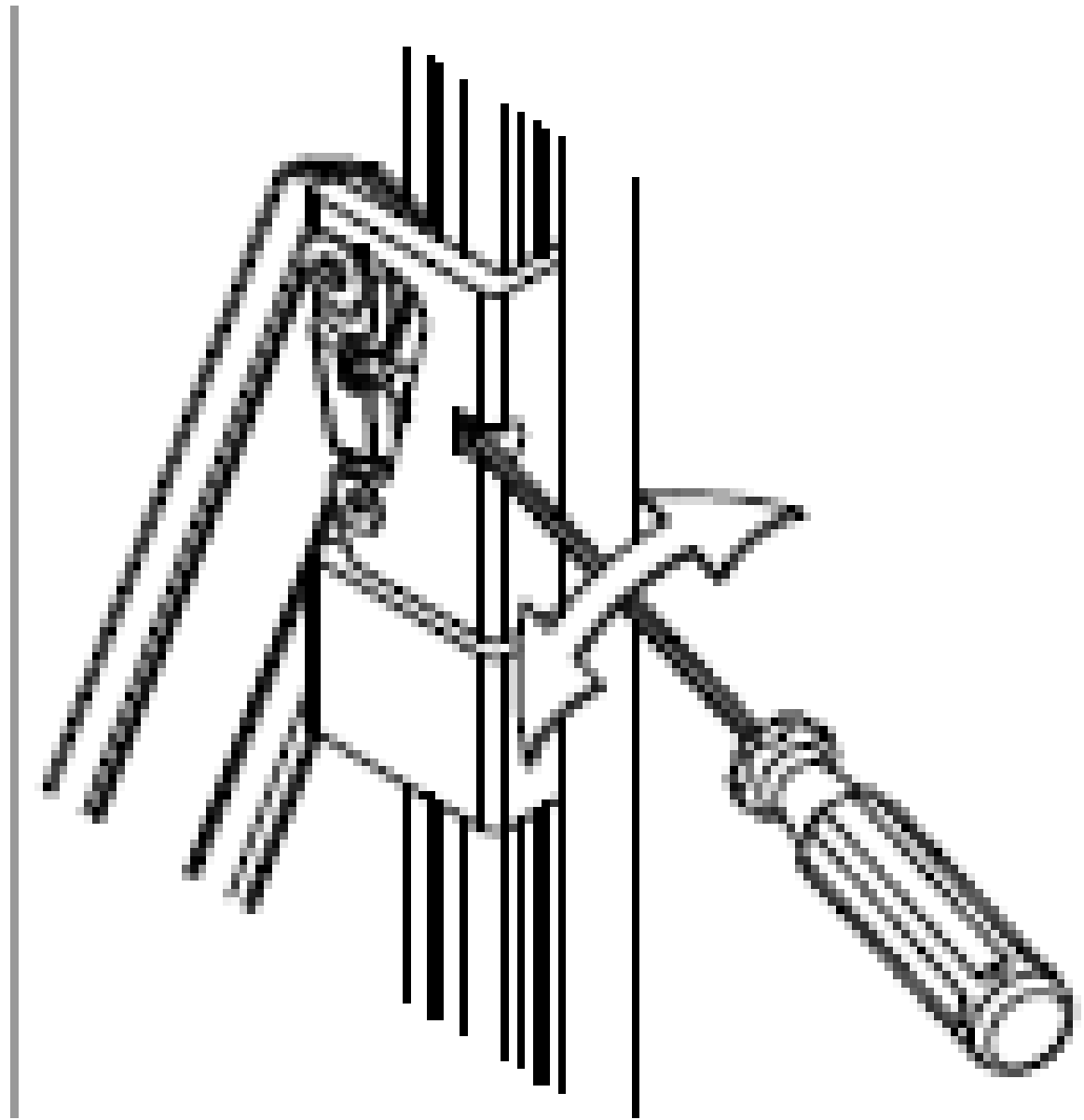


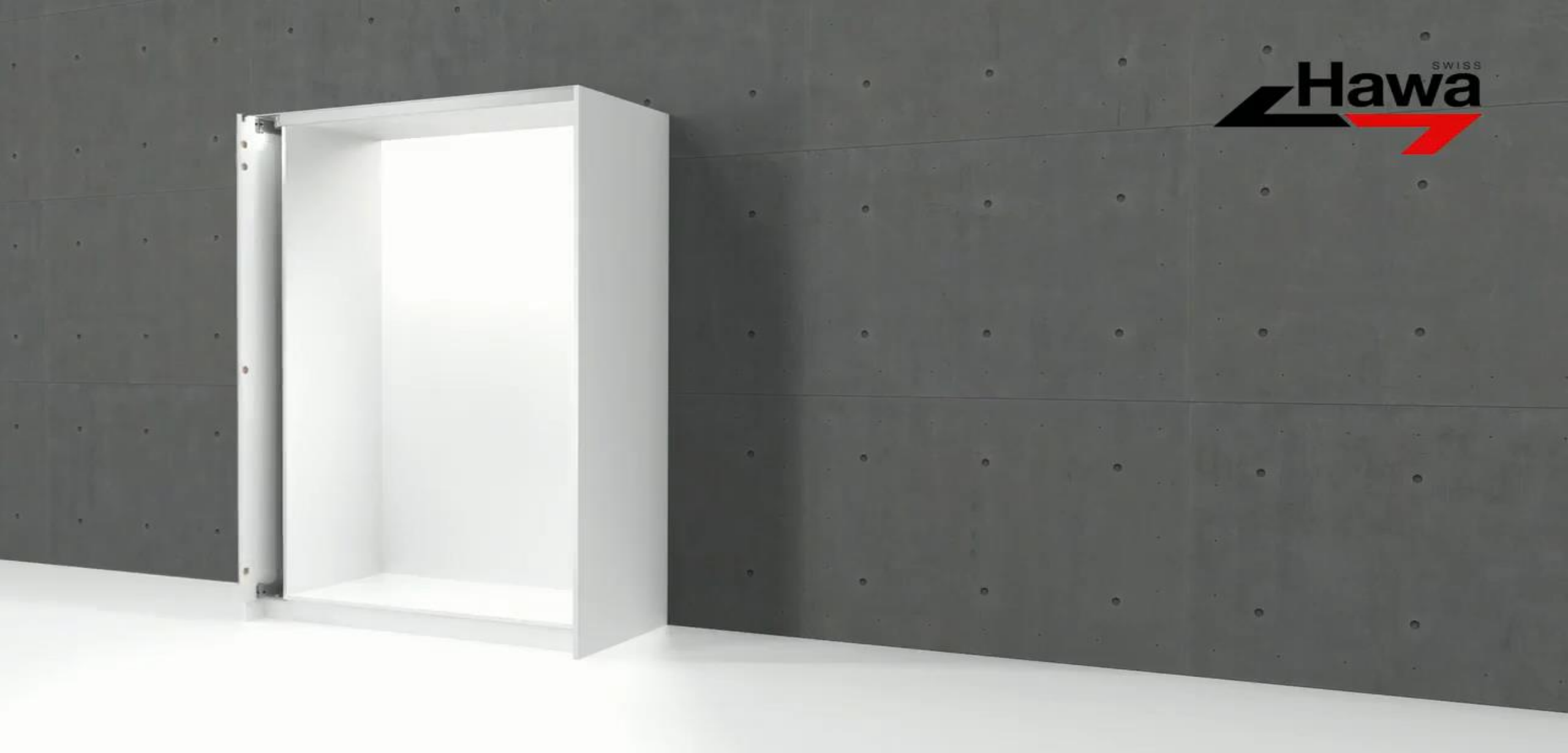


Solution #1

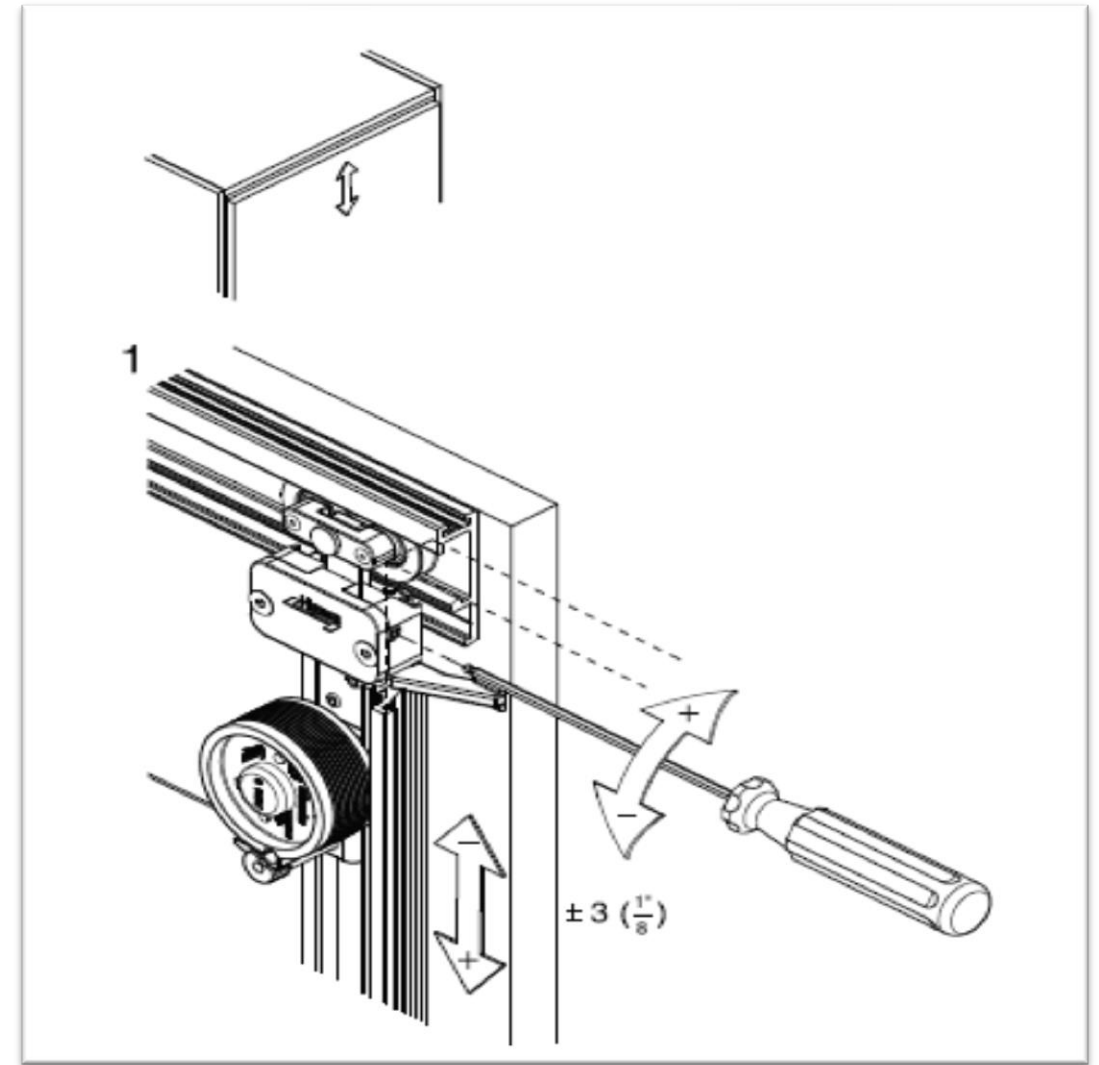
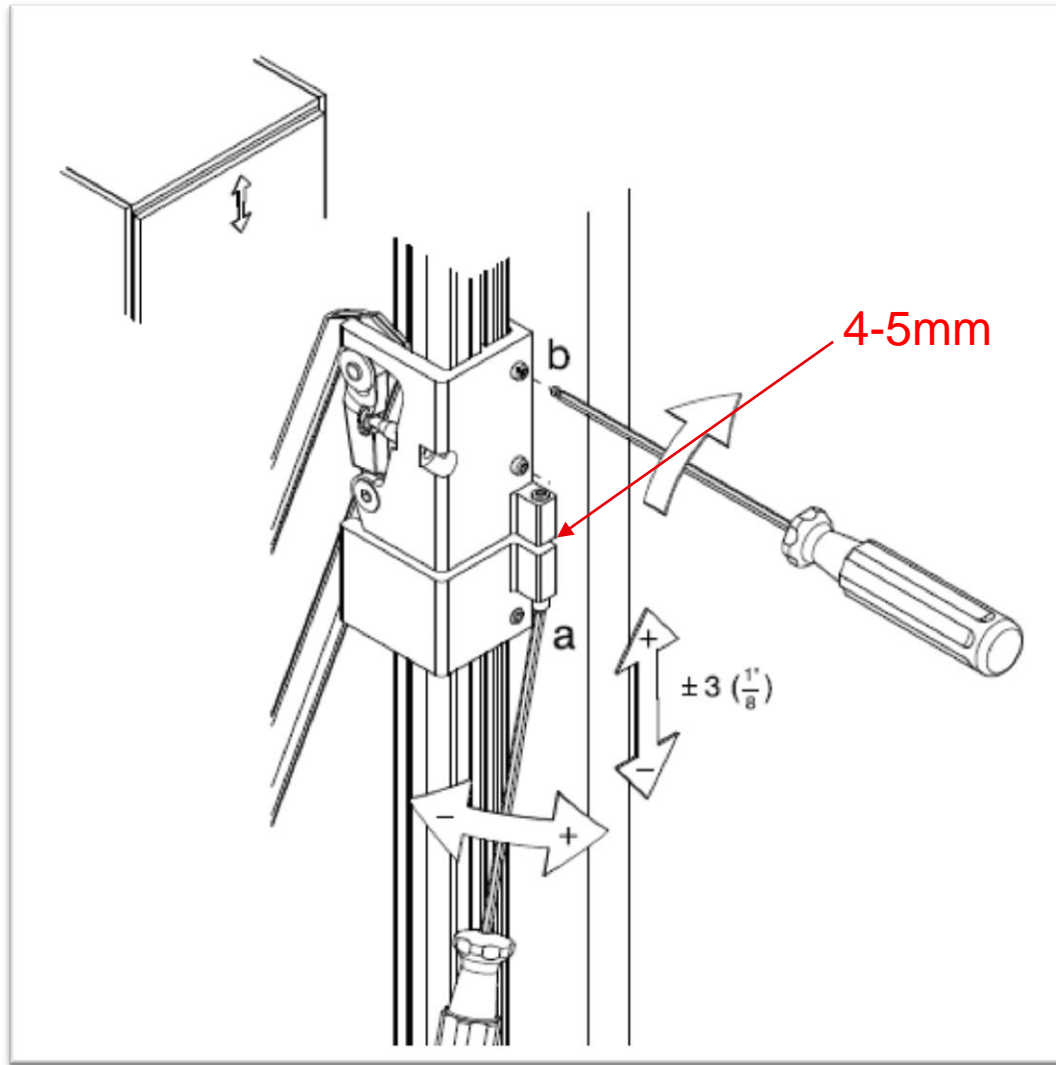
If the door has problems only at specific parts of the movement (eg. Only at the back of the pocket):

Adjust the upright profile tilt/inclination at the front scissor suspension (Knee)





Solution #2



Raise the upright (vertical profile) higher by means of the height adjustment.



Solution #3

Height adjustment by means of lifting the hinges on the upright

Solution #4

* Folding Concepta

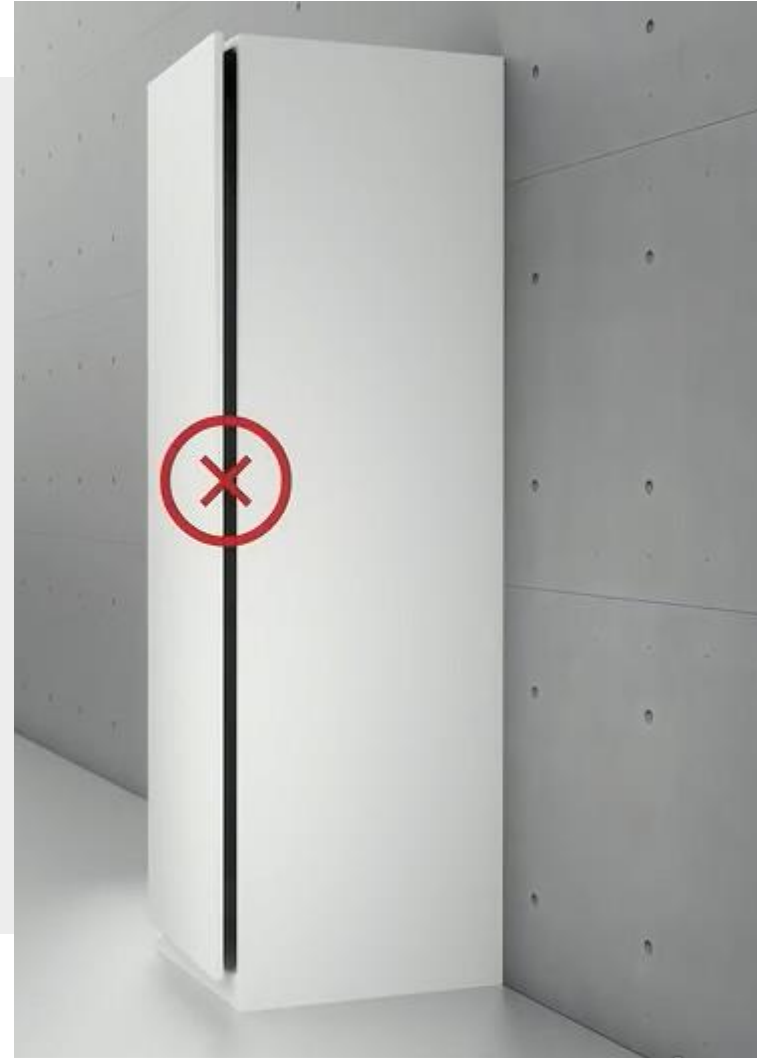


Problem #2

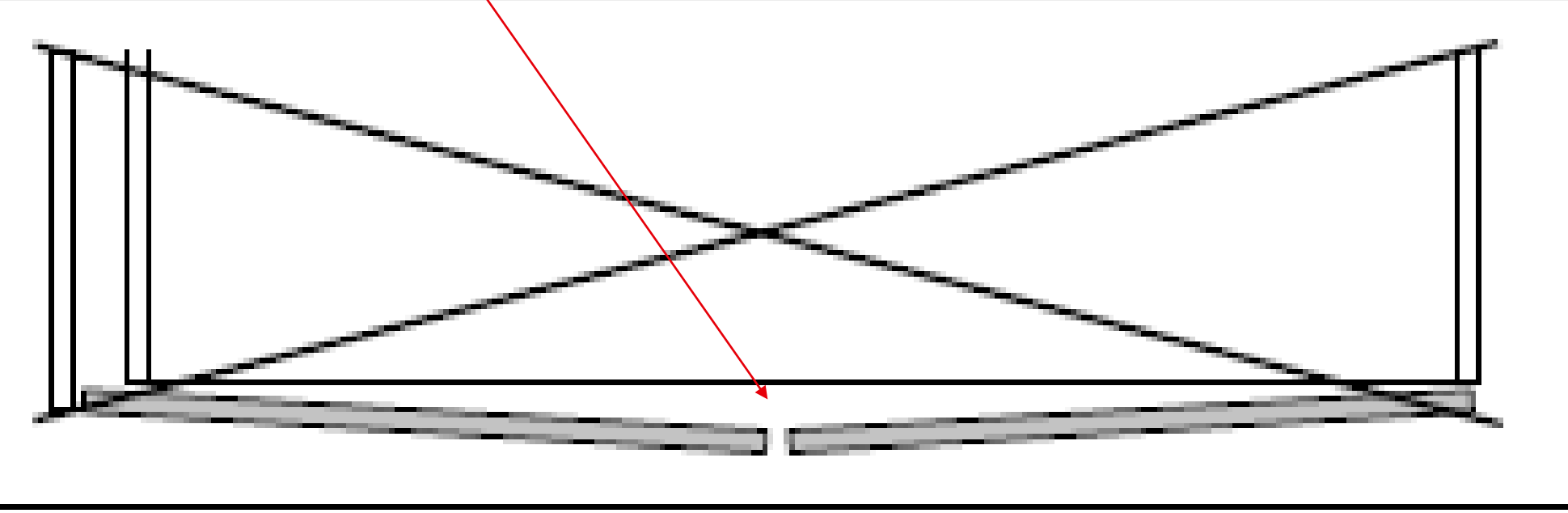
Door does not close completely against the cabinet

Probable Cause:

The upright profile needs to be adjusted (not straight)



Folding Concepta





Recommended Solution

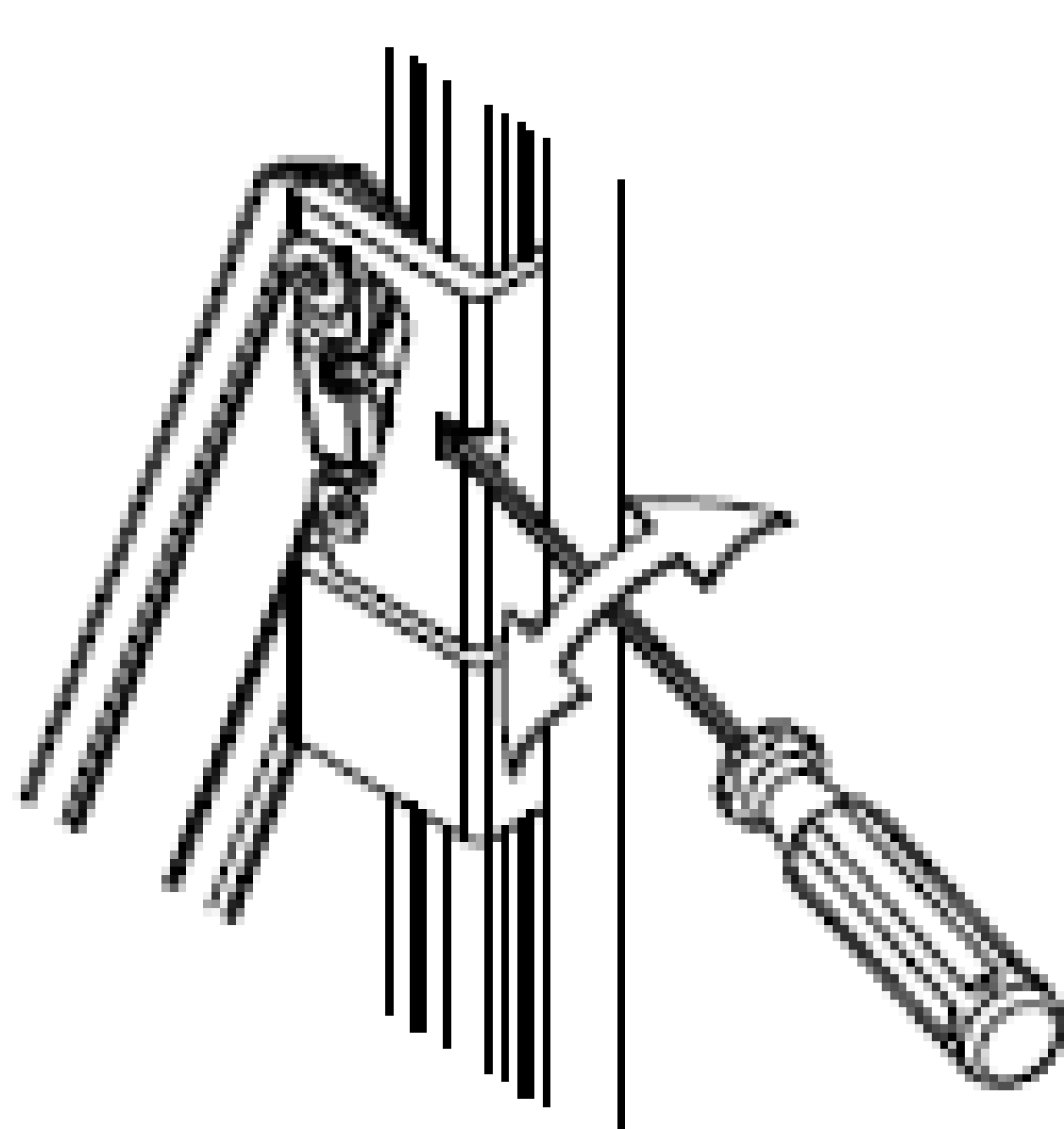


SCAN ME

ADJUSTMENT
DOCUMENT
GUIDE

Solution:

Adjust the knee hinge in order to make the profile straight.





Problem #3

The side air gap is big

Probable Cause:

The hinge position needs to be adjusted

NB: If this happens, something might have gone wrong in the adjustment or installation of the door panel







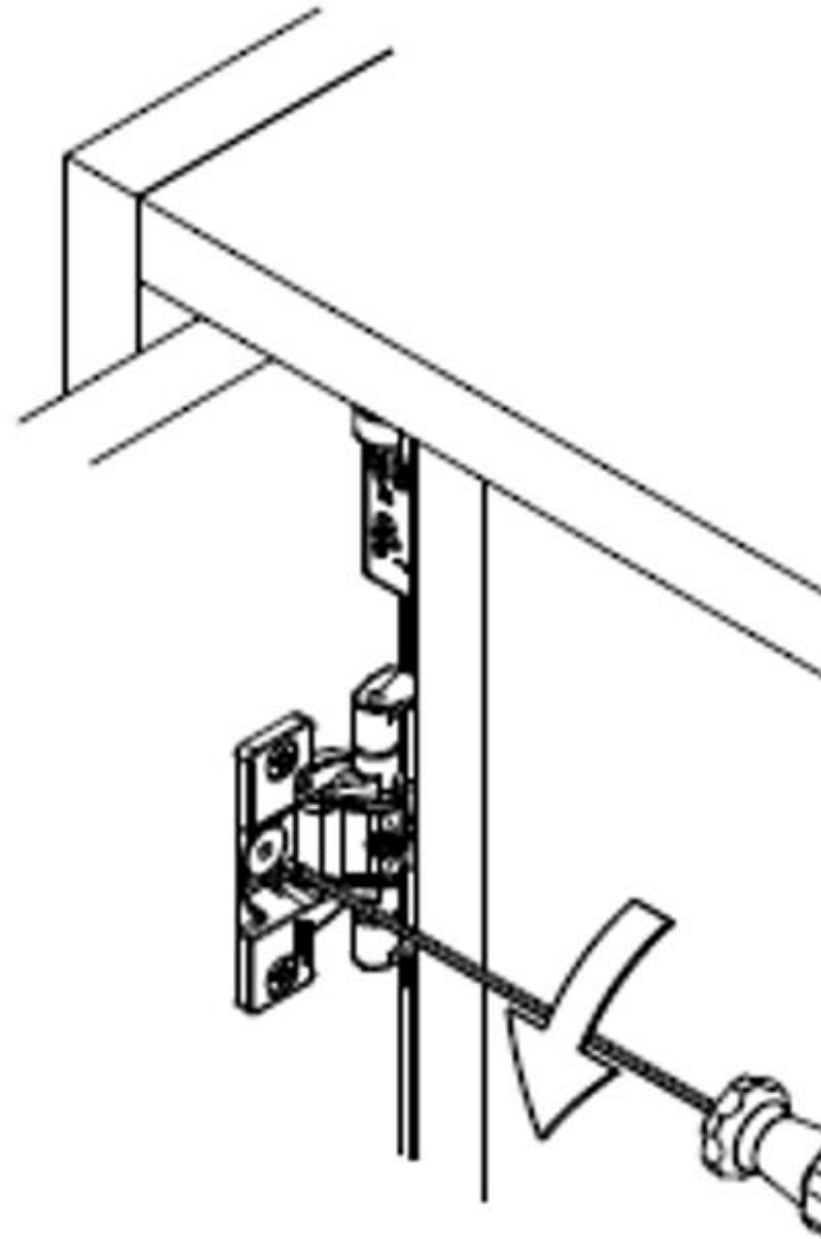
Recommended Solution

Solution:

Loosen the central hinge screw using a 3mm hex key. Use a Phillip head screw driver to extend or retract the hinge. Re-tighten the screw

NB: take the weight off the door to adjust

Have a play with the hinge adjustment to see what works best



SCAN ME

ADJUSTMENT
DOCUMENT
GUIDE

Problem #4

Door's pulley retraction speed is too fast or too slow



Probable Cause:

the opening angle of the door needs adjustment





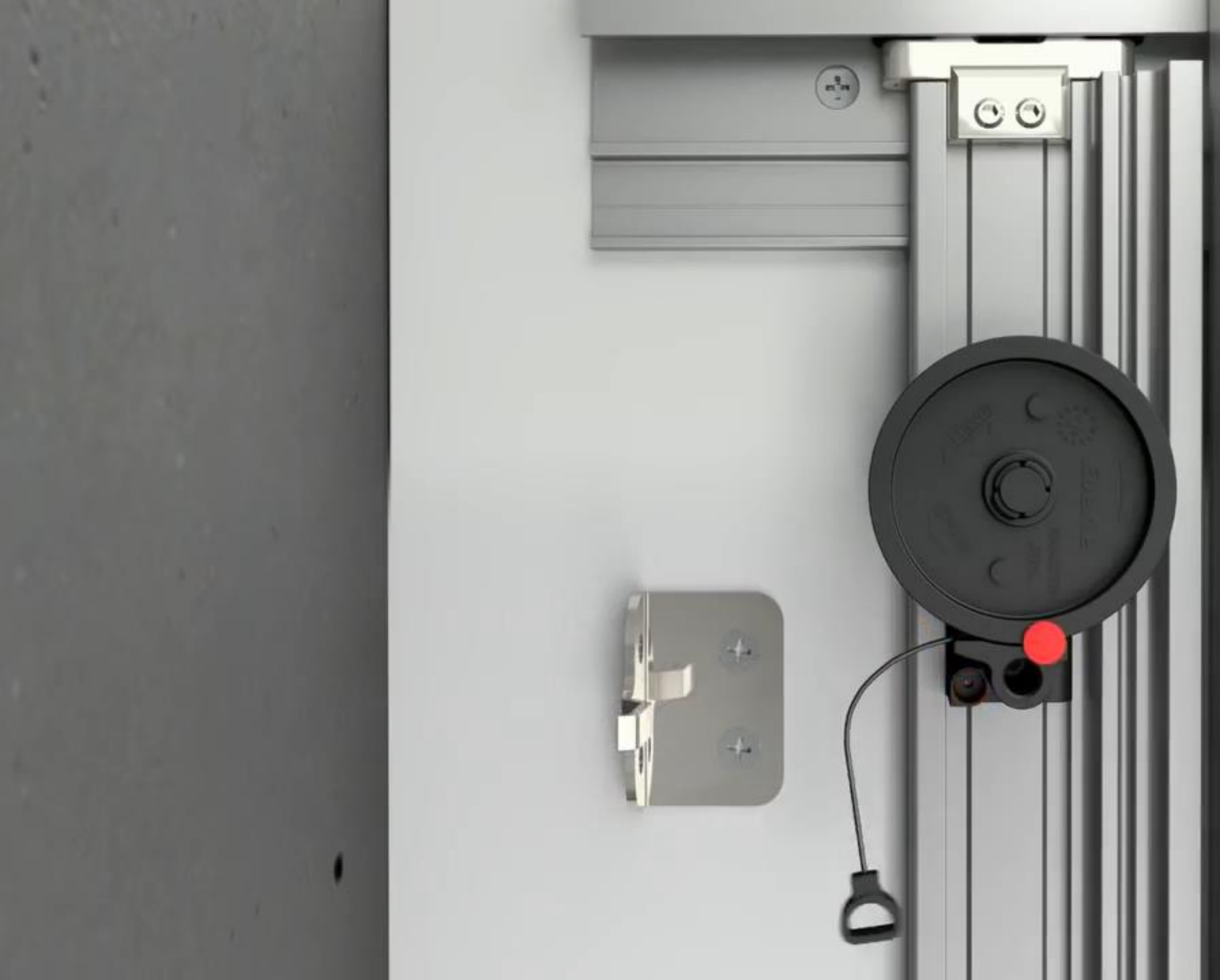
Problem # 5

Door retracts too fast and SLAMS into the pocket

Probable Cause:

The bottom damper is set too low and needs to be adjusted





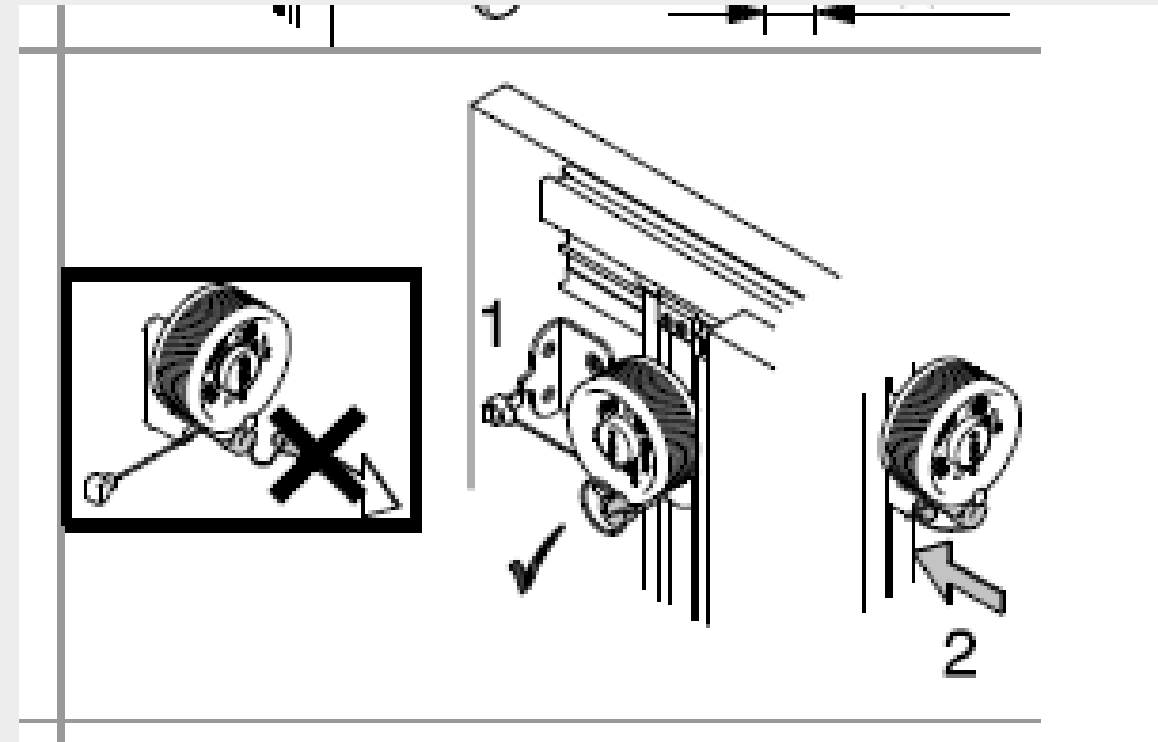
Problem #6



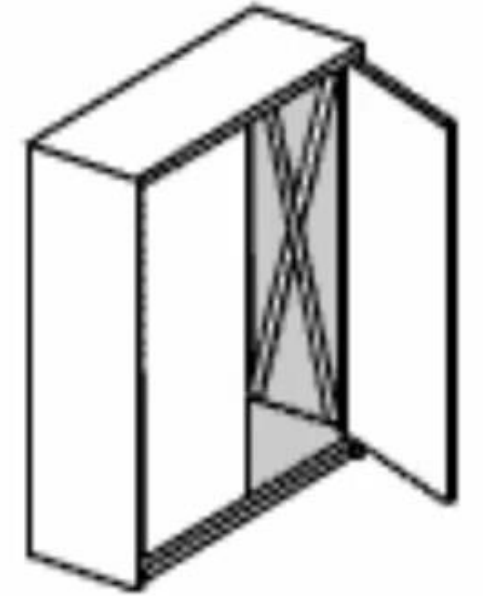
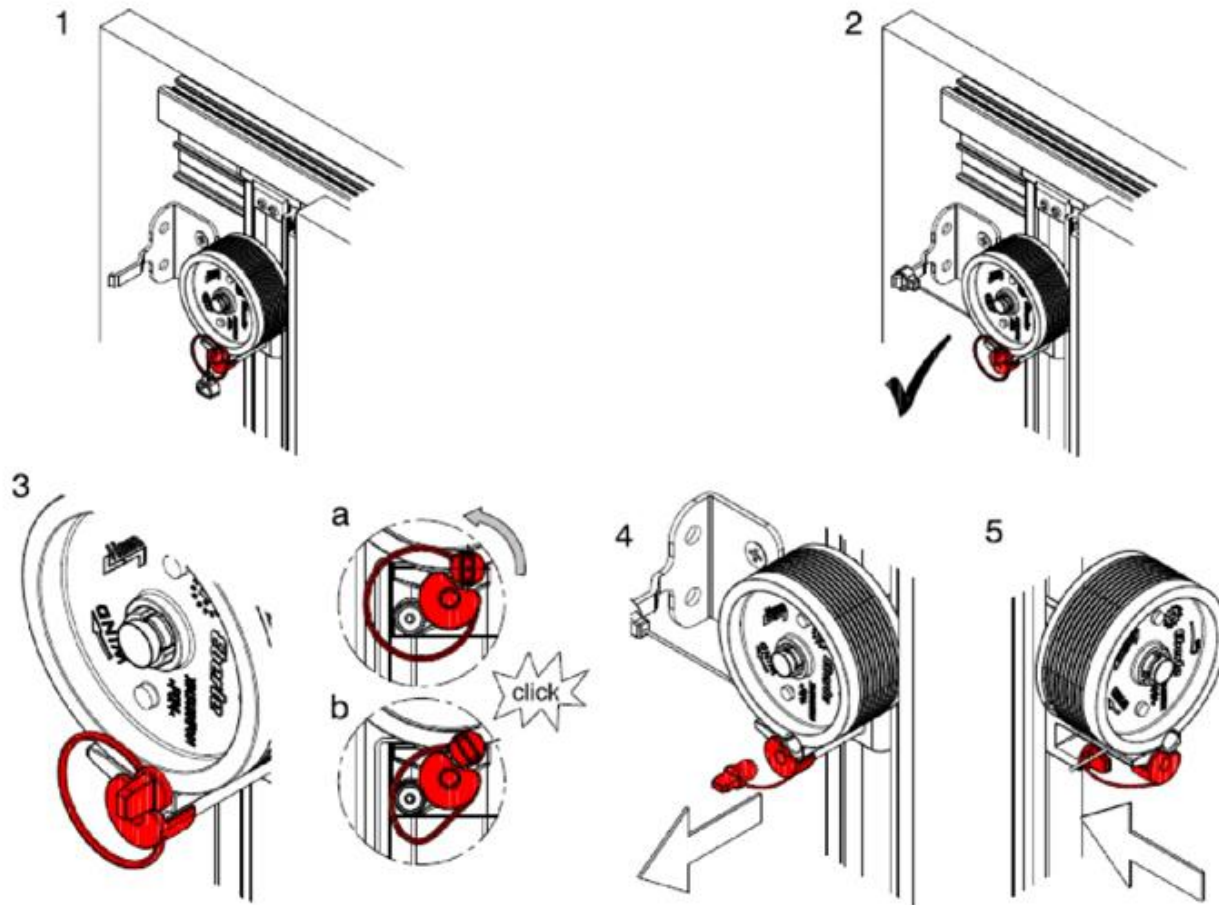
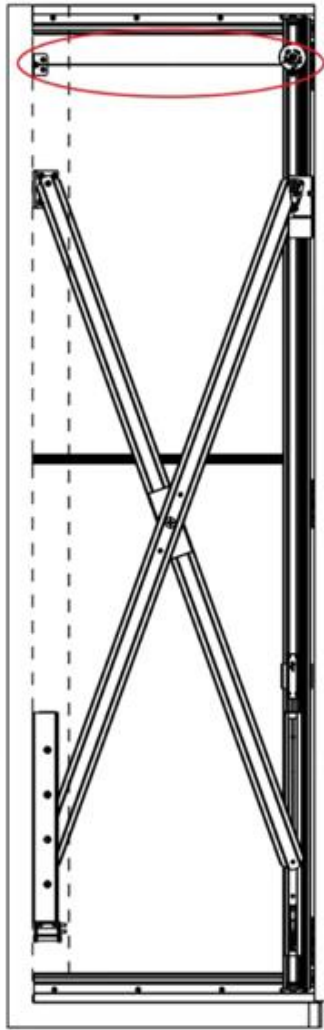
Broken pull-in mechanism

Probable Cause:

The safety pin was removed before the rope was attached to the rope support.



tip | Soft Close Re-wind

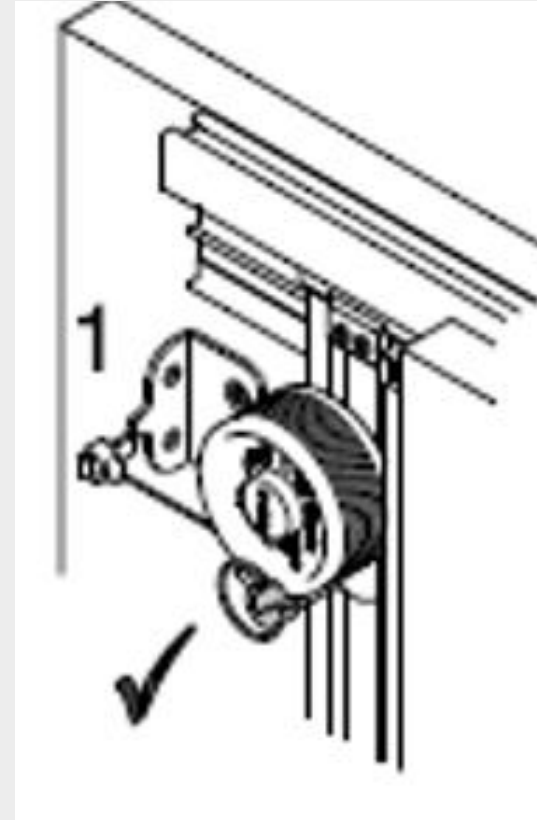


Problem #6

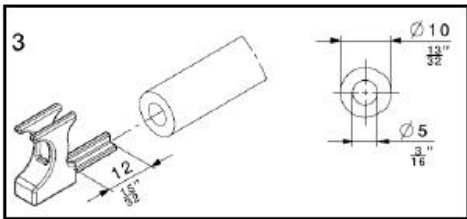
Pulley not connected before commissioning

Probable Cause:

Installer forgot



The little red hook....



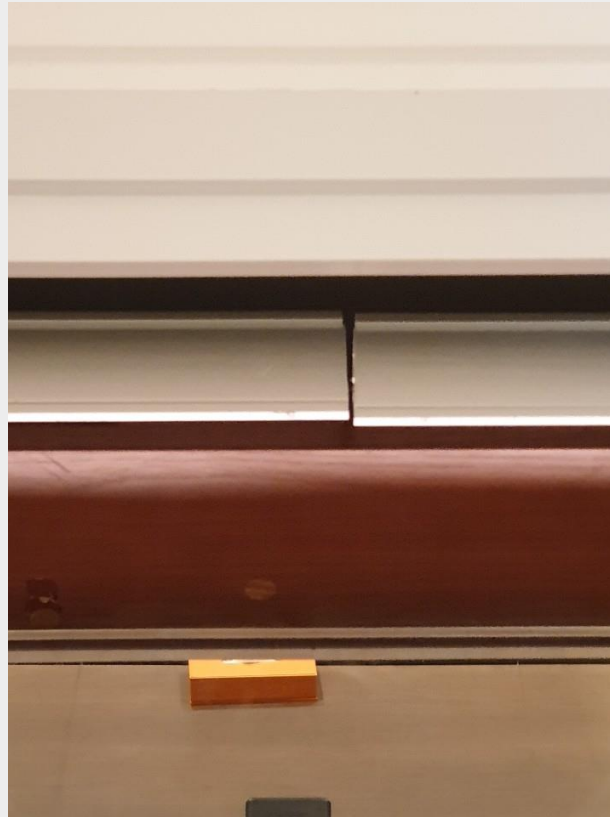


Problem #7

Folding Concepta track join misaligned

Probable Cause:

Deflection on the cabinet due to the weight of the folding doors.

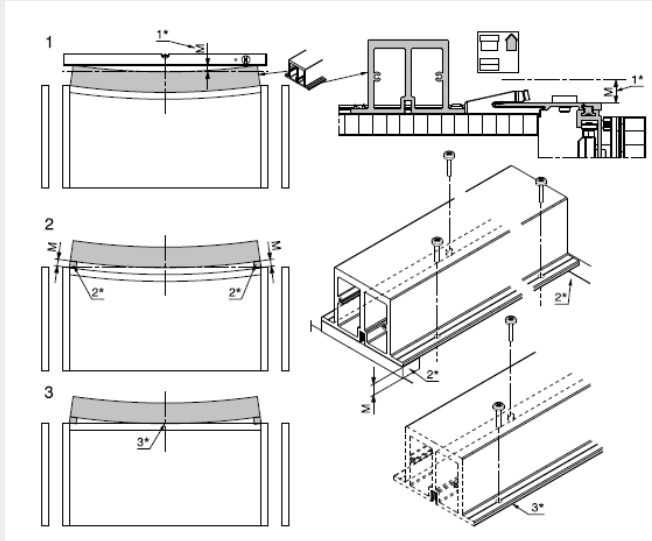




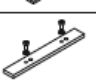
Recommended Solution

Solution:

Check if the cabinet top is strong enough. If not, use reinforcement profile (refer to pg 70, 25739c).



Use the top track connection plate to connect the tracks

	Top track connection plate, alu plain anodized, predrilled	24321
---	---	-------



Overview of key problems

Problem	Cause	Solution
Problem #1 – door difficult to retract into pocket	Door dragging on lower profile	Adjust height at; a)upright, b)knee c)hinge
Problem #2 – Door not closing against the cabinet	Upright profile needs adjusting/realignment (tilt)	Adjust the profile at the knee
Problem #3 – Air gaps too wide	Hinge position needs adjusting	Adjust the hinge using the central hinge screw using a Philip head screwdriver
Problem #4 – Door pulley retraction too fast/slow	Door angle needs to be adjusted	Adjust the door angle the hinge using hex key
Problem #5 – Door retracts too fast and slams into the cabinet	Lower damper is too low to slow the door	Pull out upright profile and adjust the damper position (might need to remove end stops)
Problem #6 – Pull in mechanism (pulley) is broken	Has been operated with red stopping plug in	Re-tension by following video instructions, or replace
Problem #7 – Folding concepta track junction misaligned	Cabinet sagging or no connection plate installed	Install connection plate or install reinforcement profile



Further questions?

**Please get in touch with your sales contact or email
to info@hawa.com**